

DATA SHEET

AUTOMATIC GAS FRYER STOVE FGAUT70

Automatic Gas Fryer Machine for high production or professional use. Due to its quality, it is a highly durable and resistant machine designed for industrial use.



FAUT70

TECHNICAL SPECIFICATIONS:

- **Suitable for both outdoor and indoor use.**
- Body made of AISI304 18/10 stainless steel.
- Integrated AISI304 18/10 stainless steel tank within the body.
- Wheels for easy mobility.
- High-power industrial burner controlled by a digital system and temperature probe. Suitable for use both outdoors and indoors.
- High-precision digital thermostat [-1°C].
- Insulated with SUPERWOLL high-temperature thermal blanket, Density 128kg/m³ thickness 13mm. Except for chimneys.
- Smoke exhaust chimneys made of AISI304 stainless steel, for hanging a dispenser or potato cutter.
- Built according to CE regulations.
- Temperature range from 80°C to 200°C.
- 1" oil drain valve.
- Fuel options include butane, propane, or natural gas.

OPCIONAL:

- Special manufacturing regarding dimensions, depth of the tank, and whether it is conical or cylindrical in shape.
- Lid.
- Mast for hanging a dispenser or potato cutter.
- Insulation for chimneys.

MODELO: FGAUT70

DIMENSIONS: LENGT 700mm. / WIDTH 700mm. / HIGH 800 mm.

POWER: 37 KW.

TOP DIAMETER: Ø600mm.

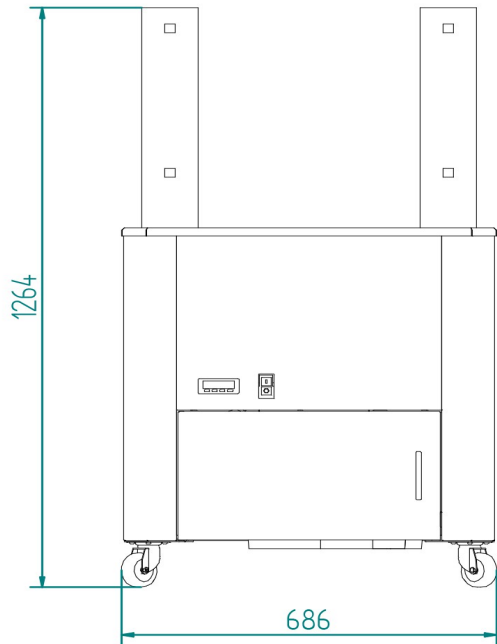
BOTTOM DIAMETER: Ø400mm.

INSIDE DIAMETERS: 170mm.

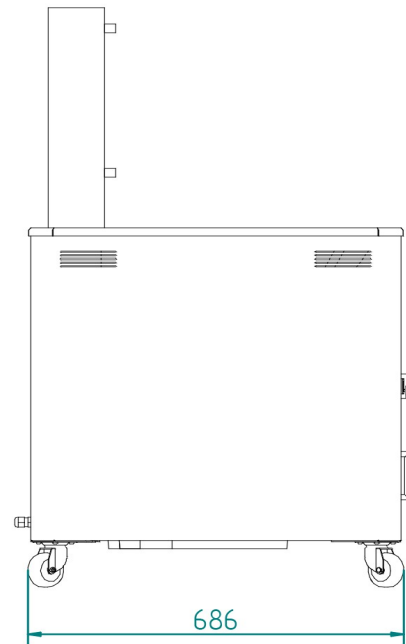
CAPACITY: 14 L.

VOLTAJE: 380V.

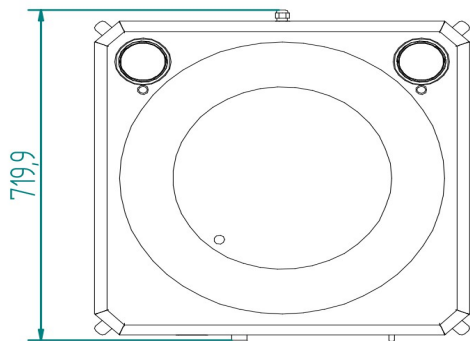
DIMENSIONS



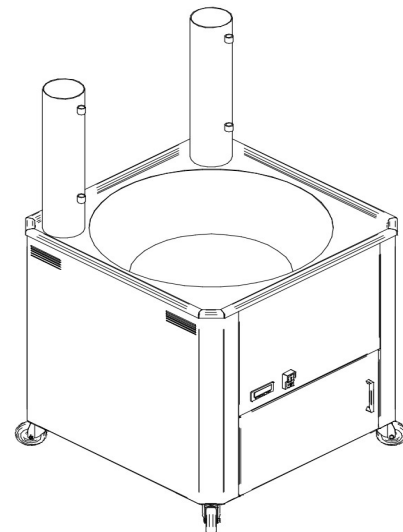
VISTA FRONTAL



VISTA LATERAL



VISTA PLANTA



VISTA ISOMÉTRICA

APPROXIMATE WEIGHT: 54 Kg.
ELECTRICAL CONNECTION: 380v, 3N, 50/60

The company reserves the right to make technical modifications without prior notice.

www.inhospaan.com

TYPE OF GAS: Butano/Propano/Gas Natural.

V1.0 - 2021/06/09